

Mini Industrial Grapple Bucket



The Mini Grapple Bucket is a versatile tool for moving sand, dirt, rocks, mud, brush, logs, and other material. Two independent grapples powered by hydraulic cylinders secure uneven and odd shaped loads. Simply a great all around attachment for almost any job.

DUAL INDEPENDENT GRAPPLES FOR GRIPPING UNEVEN LOADS



USED FOR ALL TYPES OF MATERIAL

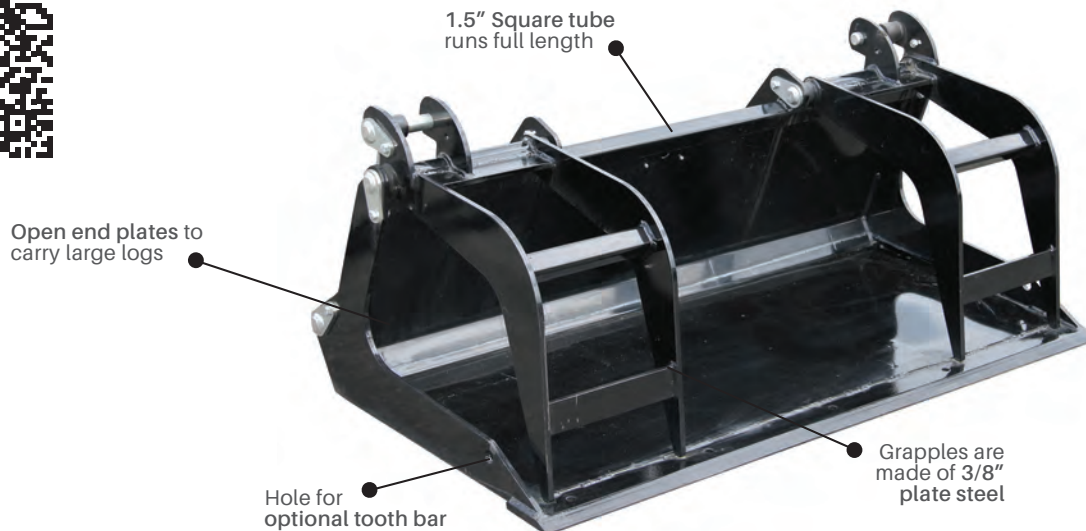


EASY TO PICK UP AND MOVE MATERIAL





Take a Picture of This QR Code With
Your Smart Phone to See it in Action



FEATURES & BENEFITS

- Move difficult to handle material, such as scrap and waste, quickly and easily
- 2 independent cylinders
- Grapples open to approximately 27"

SPECIFICATIONS / OPTIONS

Model	Mini Industrial Grapple Bucket
Part Number (Toro)	900609
Weight	335 lb.
Overall Width	49.75"
Overall Height	20.41"
Overall Height w/teeth open	30" approx
Maximum Opening	27" approx
Options	
Bolt-on Cutting Edge	
Bolt-on Teeth Bar	
Factory Installed Couplers	

* For more specification details please see our website www.erskineattachments.com

MINI SKID STEER

* For more specification details please see our website www.erskineattachments.com